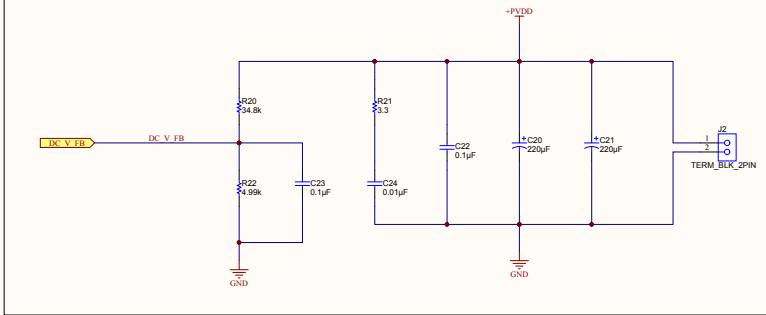


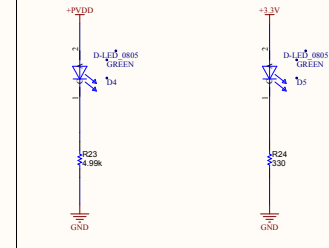
PCB
LOGO
Texas Instruments

Title			
BOOSTXL-DRV8301			
Size	Number	Revision	
Letter	DRV830X	REV B	
Date:	08/2013	Sheet 1 of 4	
File:	C:\Users\... DRV8301_SchDoc	Drawn By:	Nicholas Obony

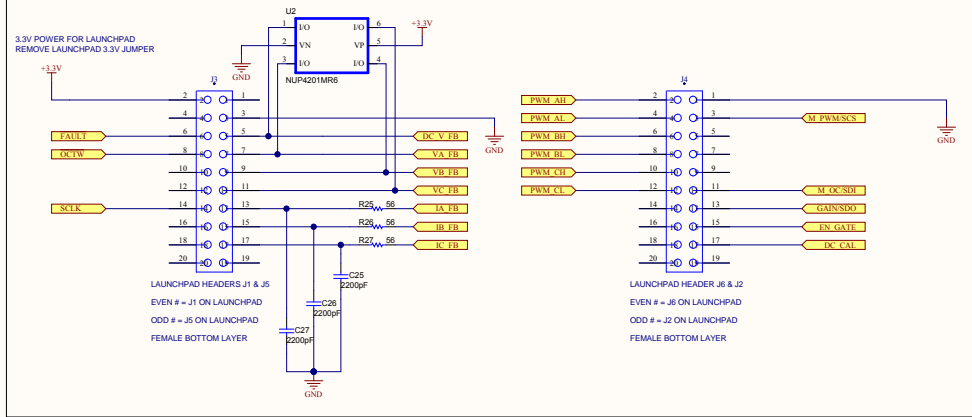
MAIN POWER IN (6-24V/10A)

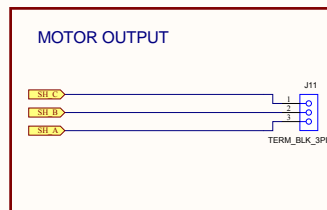
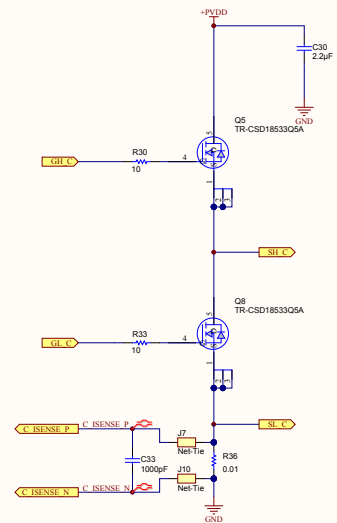
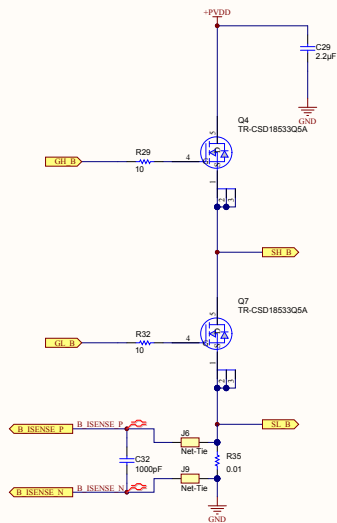
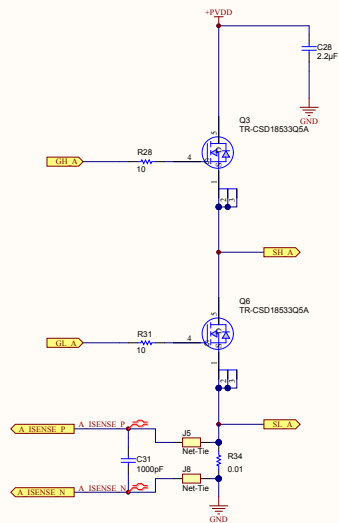


POWER INDICATOR LEDS



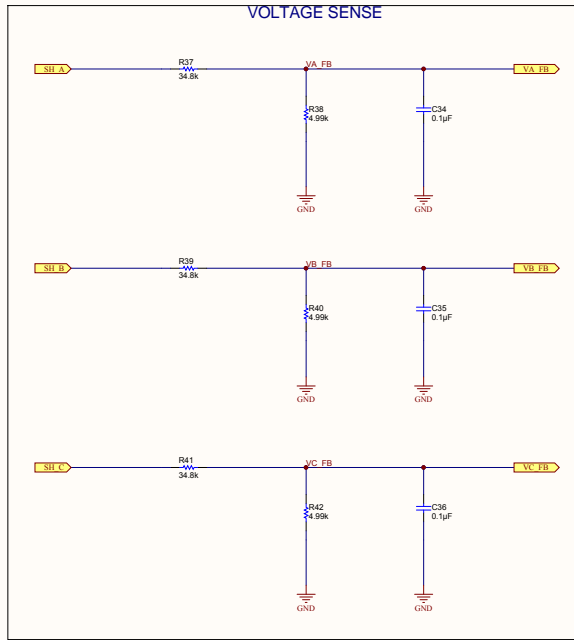
LAUNCHPAD XL CONNECTIONS



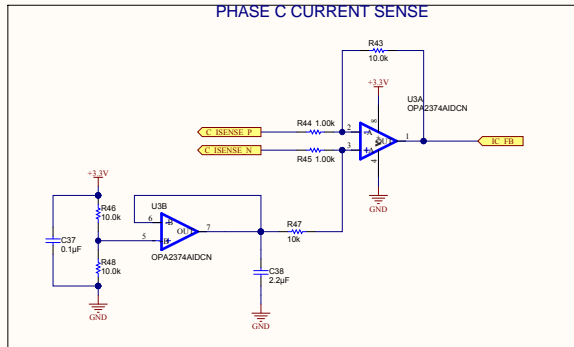


Title			BOOSTXL-DRV8301		
Size	Number	Revision			
Letter	MOTOR	REV B			
Date:	10/8/2013	Sheet 3 of 4			
File:	C:\Users\AMOTOR\SchDoc	Drawn By: Nicholas Dobny			

VOLTAGE SENSE



PHASE C CURRENT SENSE



Title			
BOOSTXL-DRV8301			
Size	Number	Revision	
Letter	SENSE	REV B	
Date:	10/8/2013	Sheet 4 of 4	
File:	C:\Users\SENSE\SchDoc	Drawn By:	Nicholas Dobny