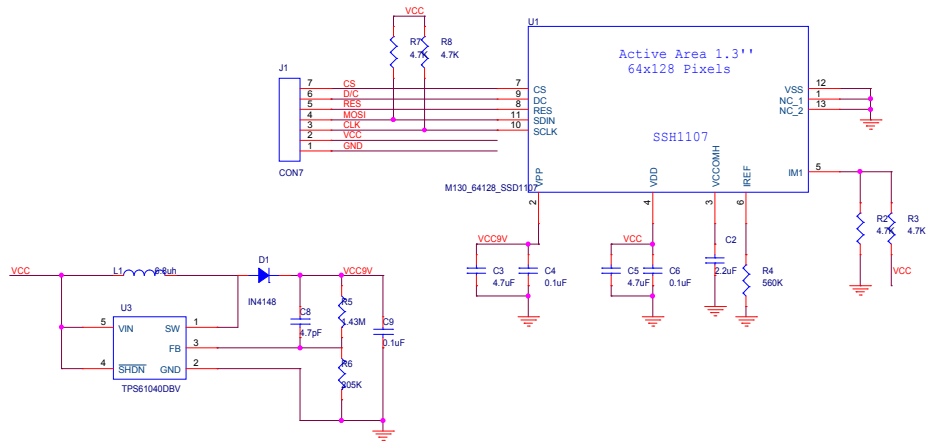


中景园电子1.3寸64x128 OLED显示屏模块原理图  
通信接口为SPI

淘宝地址: <http://shop73023976.taobao.com/?spm=a1z10.1.0.0.byBTLt&v=1>



SPI/IIC配置:  
SPI:R2焊接, R3悬空  
IIC:R3焊接, R2悬空

Title		0.96" 128*64单色OLED驱动板	
Size	Document Number		
	<Doc>		
Date:	Monday, March 12, 2016	Sheet	1 of 1