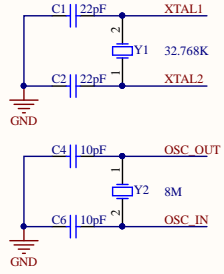
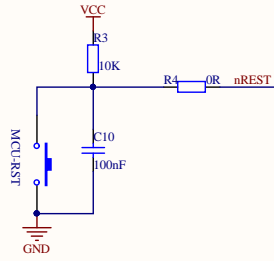


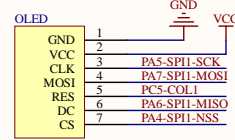
晶振电路



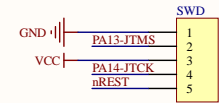
MCU复位电路



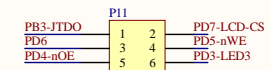
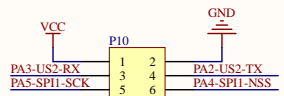
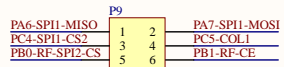
OLED液晶屏SPI1接口



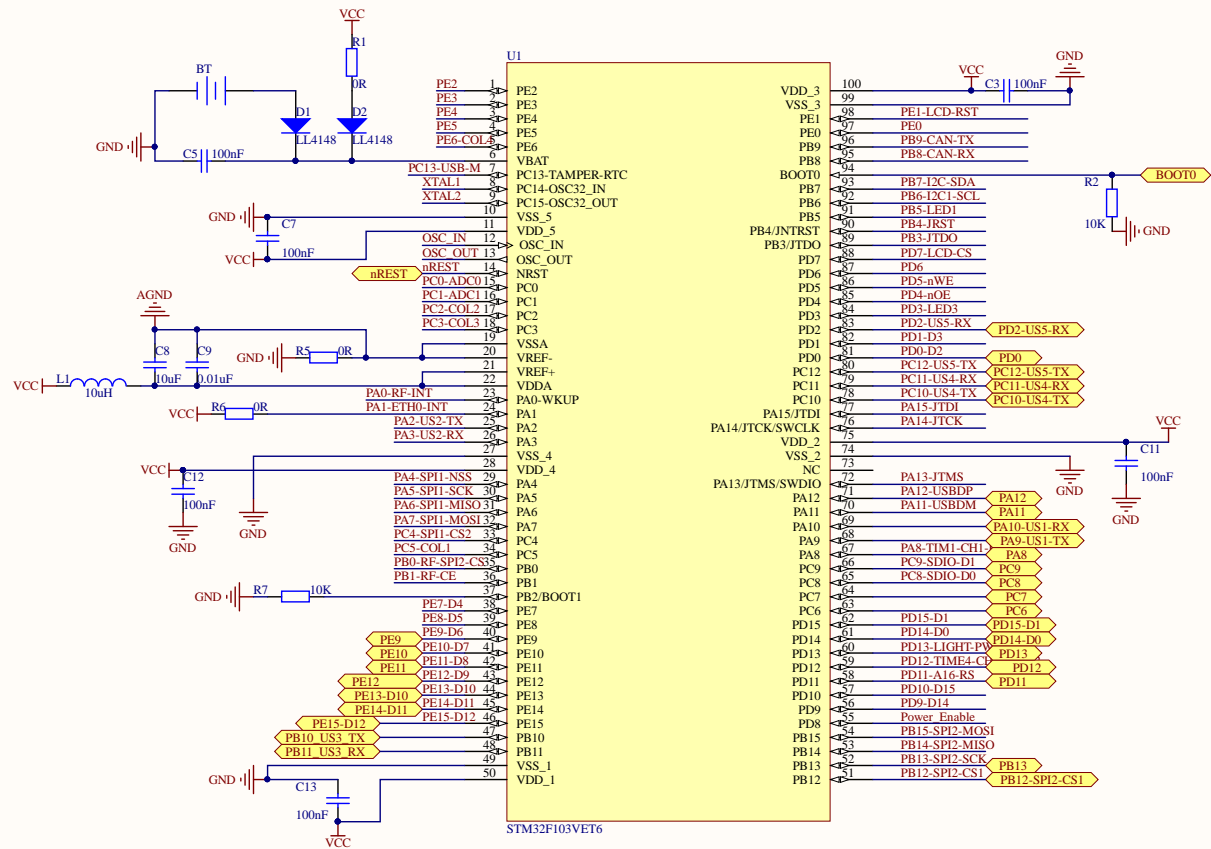
ST-LINK调试接口



IO



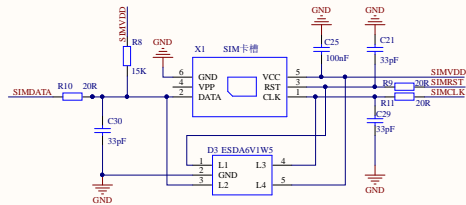
STM32F103



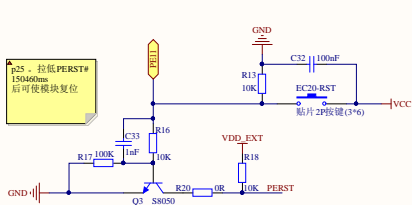
- USART1 — USB
- USART2 — 闲置
- USART3 — EC20
- USART4 — RS485
- USART5 — RS232

| | | |
|--------------|--------------------|-----------|
| Title | | |
| MCU及相关外围设备电路 | | |
| Size | Number | Revision |
| A3 | | |
| Date: | 2020/11/21 | Sheet of |
| File: | D:\安徽科技\CPU.SchDoc | Drawn By: |

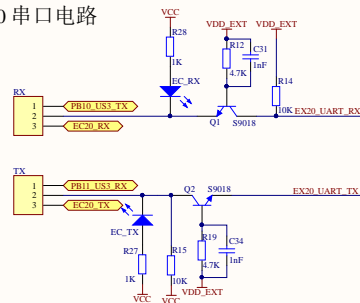
SIM卡槽电路



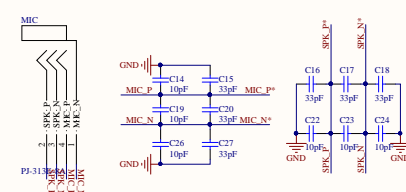
EC20 模块复位电路



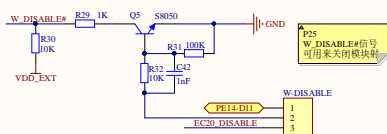
EC20 串口电路



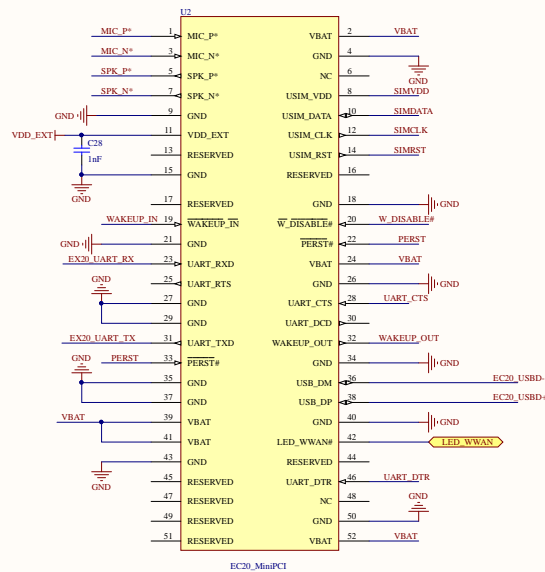
EC20 MIC、SPK电路



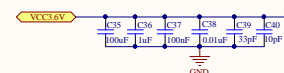
EC20 DISABL引脚调试



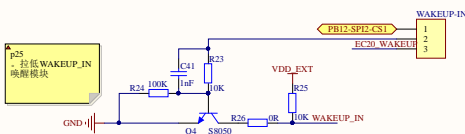
EC20 MINIPCI接口



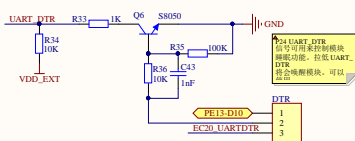
EC20 3.6V 电源滤波



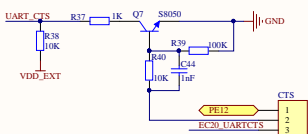
EC20 WAKEUP_IN引脚调试



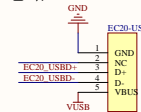
EC20 UART_DTR引脚调试



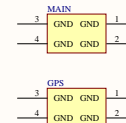
EC20 UART_CTS引脚调试



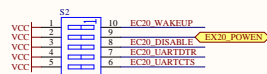
EC20 USB接口电路



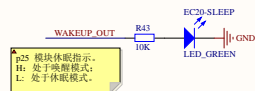
IPEX转SMA底座



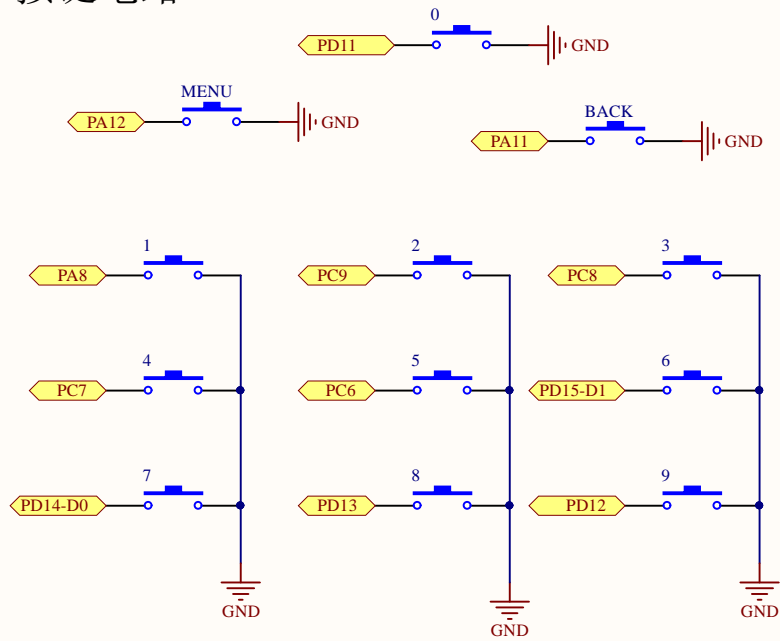
电平调试拨码



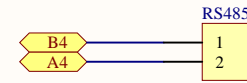
EC20 WAKEUP_OUT状态指示灯



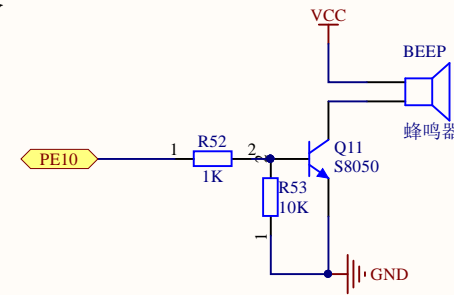
按键电路



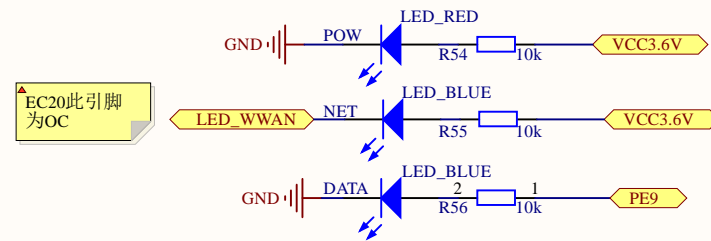
RS485接口



蜂鸣器电路

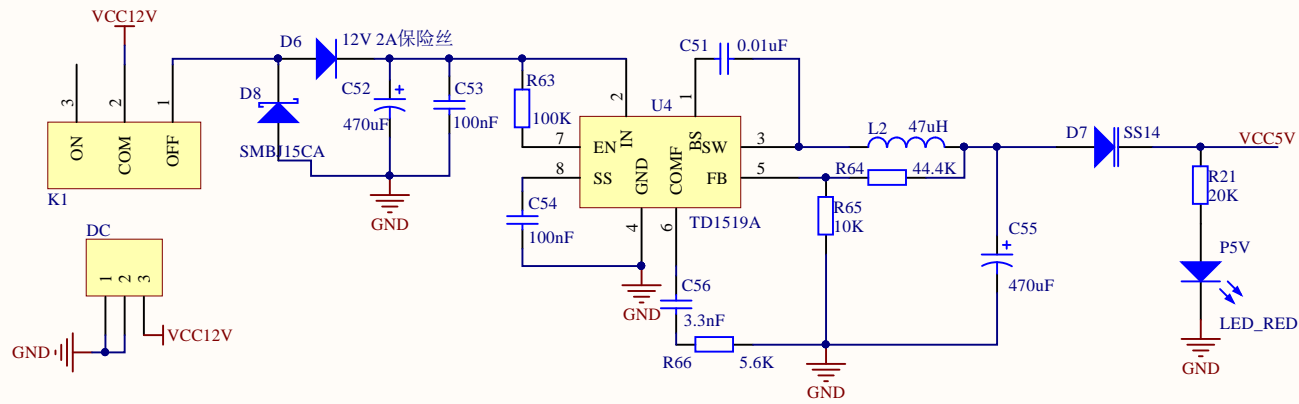


LED指示灯

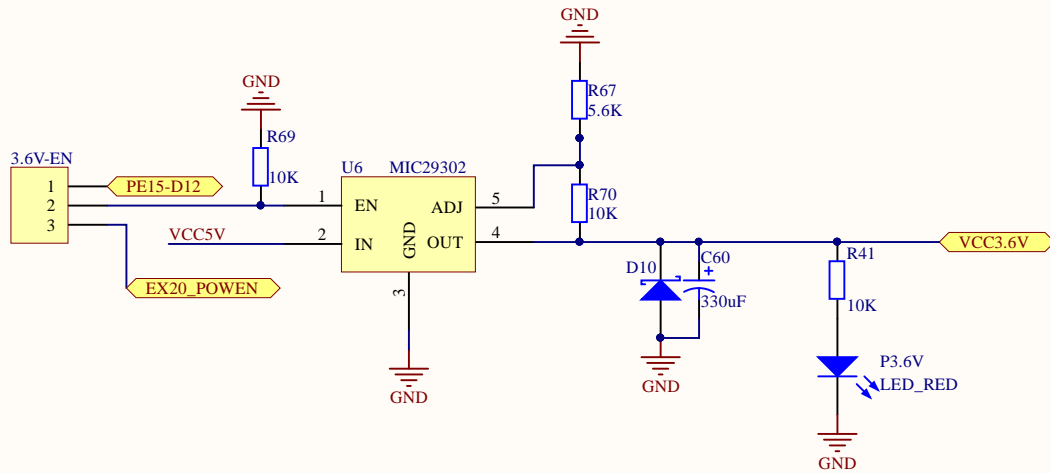


| | | |
|---------------------------|-----------|----------|
| Title | | |
| Size A4 | Number | Revision |
| Date: 2020/11/21 | Sheet of | |
| File: D:\晏诚科技\Port.SchDoc | Drawn By: | |

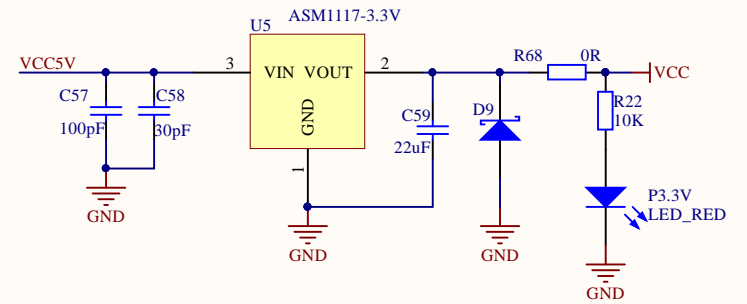
DC12V转DC5V电路



DC5V转DC3.6V电路



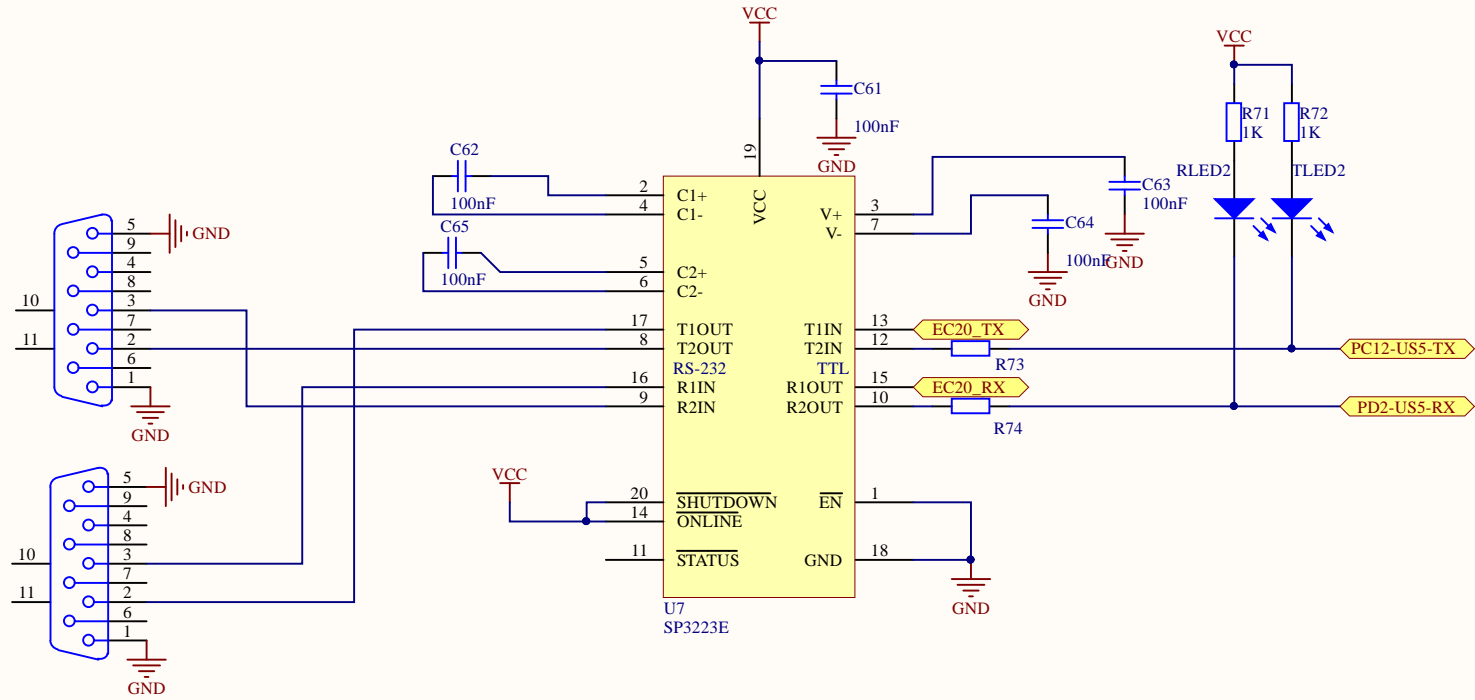
DC5V转DC3.3V电路



| | | |
|----------------------------|-----------|----------|
| Title | | |
| Size A4 | Number | Revision |
| Date: 2020/11/21 | Sheet of | |
| File: D:\晏诚科技\Power.SchDoc | Drawn By: | |

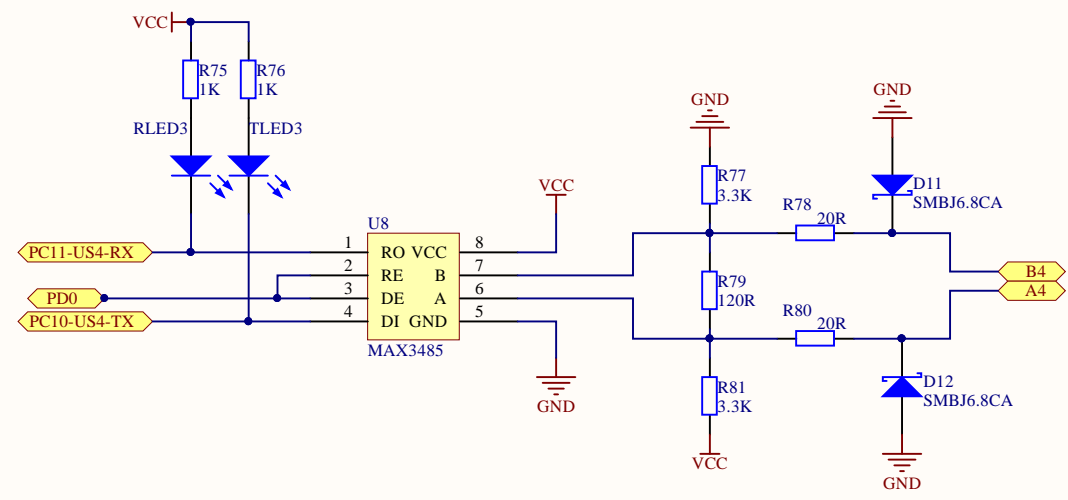
UART5转RS232

EC20 转RS232



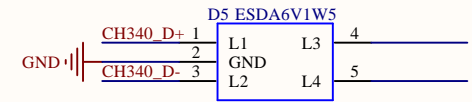
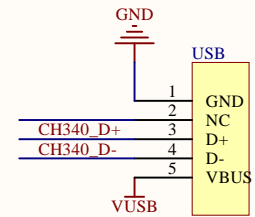
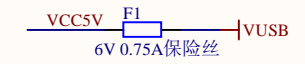
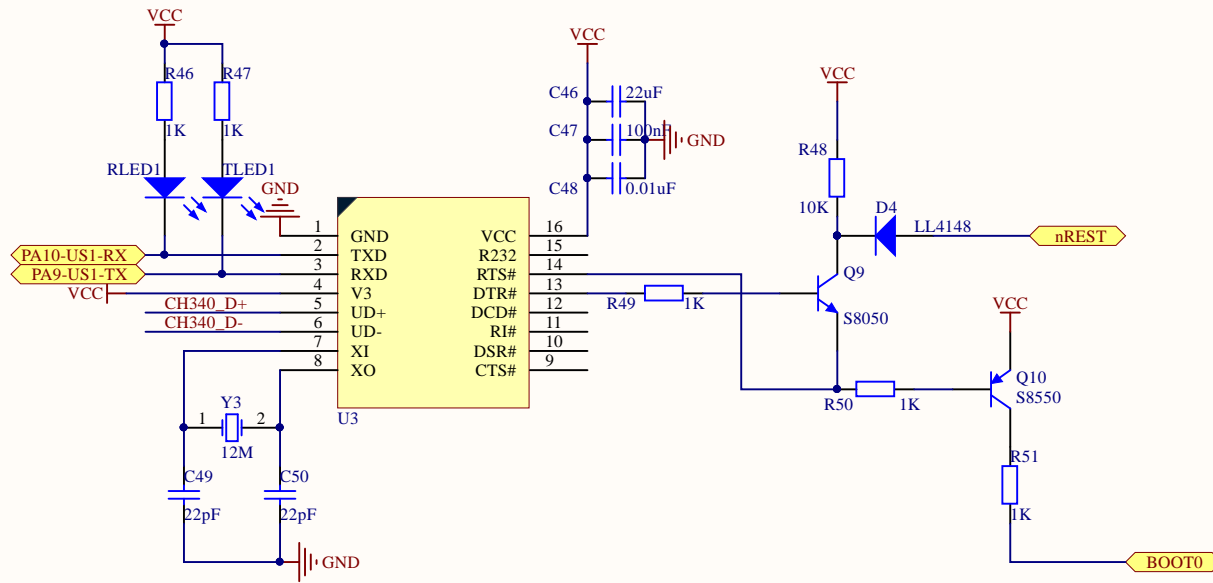
| | | |
|-------|----------------------|-----------|
| Title | | |
| Size | Number | Revision |
| A4 | | |
| Date: | 2020/11/21 | Sheet of |
| File: | D:\晏诚科技\RS232.SchDoc | Drawn By: |

UART4 转RS485电路



| | | |
|----------------------------|-----------|----------|
| Title | | |
| Size A4 | Number | Revision |
| Date: 2020/11/21 | Sheet of | |
| File: D:\晏诚科技\RS485.SchDoc | Drawn By: | |

USART1 转USB电路



| | | |
|-------|--------------------|-----------|
| Title | | |
| Size | Number | Revision |
| A4 | | |
| Date: | 2020/11/21 | Sheet of |
| File: | D:\晏诚科技\USB.SchDoc | Drawn By: |