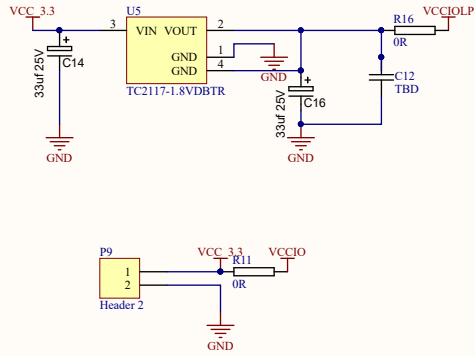
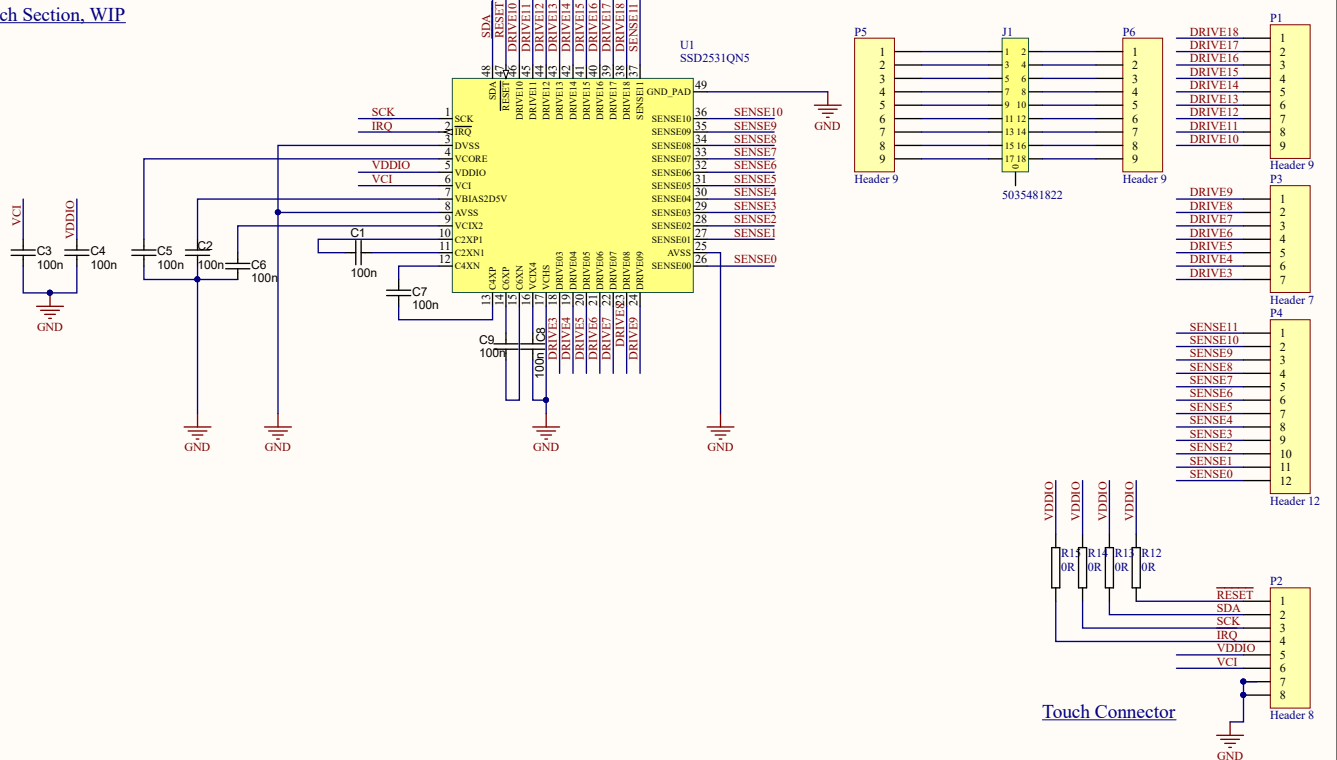


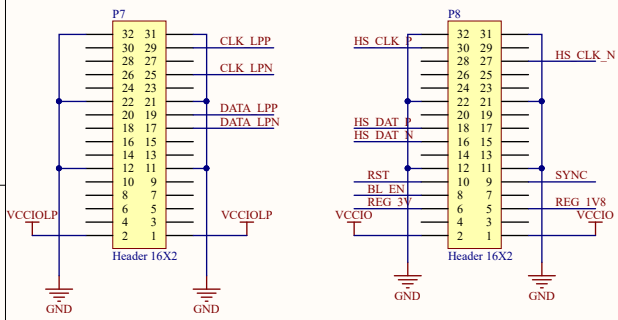
VCCIO Power (Optional)



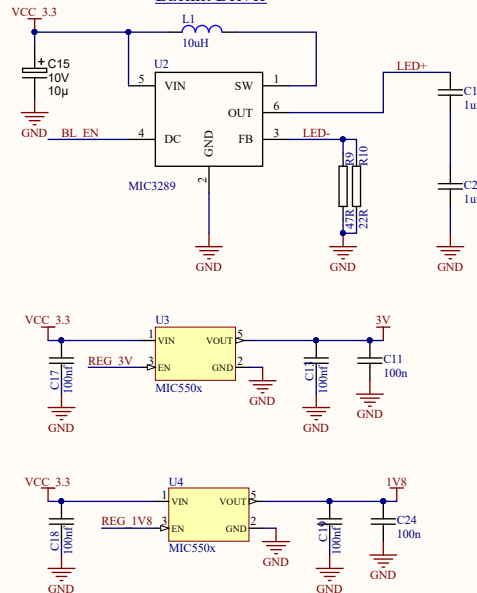
Touch Section, WIP



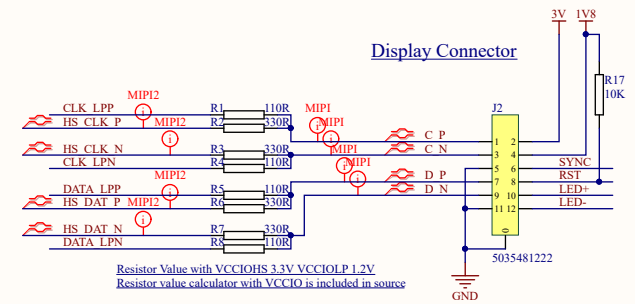
Interface to FPGA Board



Backlit Driver



Display Connector



Version 1.0
Version 1.1 Added R17 to pull of RST line to be driven by an open collector

Title * SPI MIPI DSI Bridge www.CircuitValley.com		
Size: A3	Number: *V1.1.2002	Revision: *
Date: 18-Jan-20	Time: 3:51:00 PM	Sheet * of *